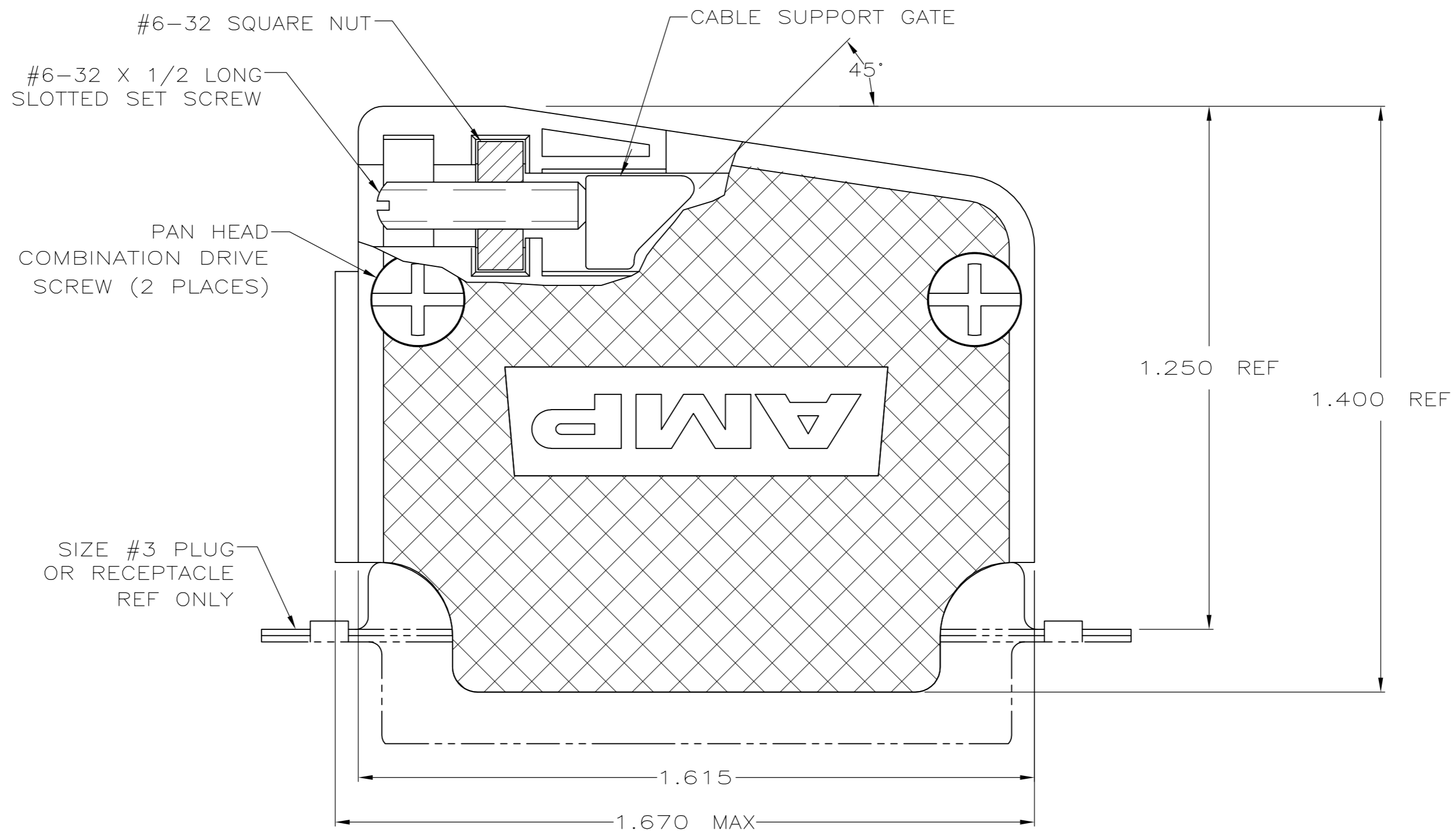
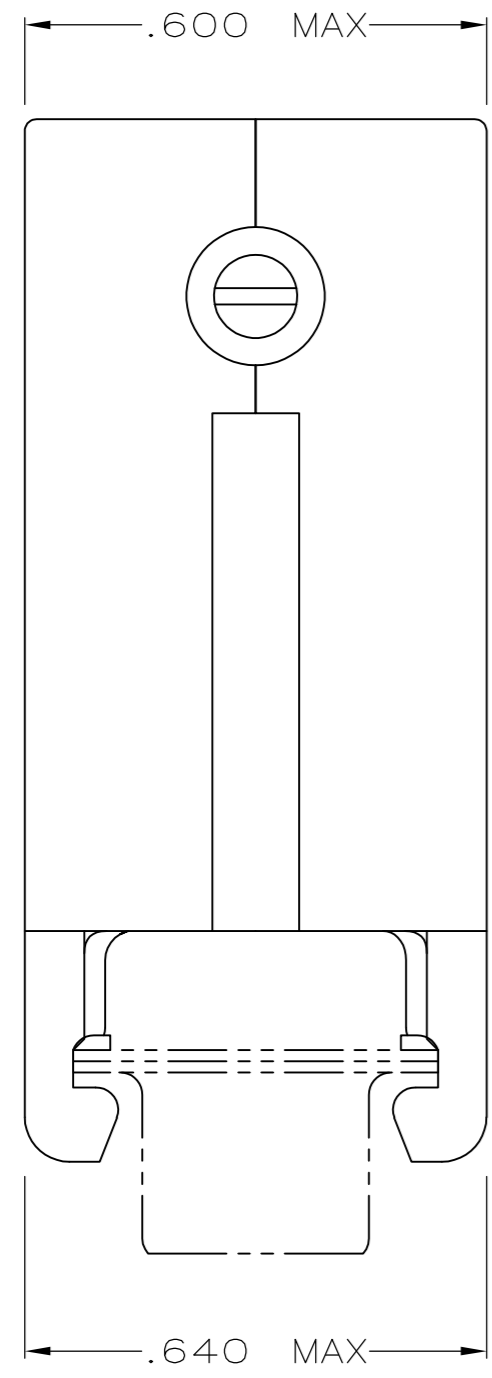
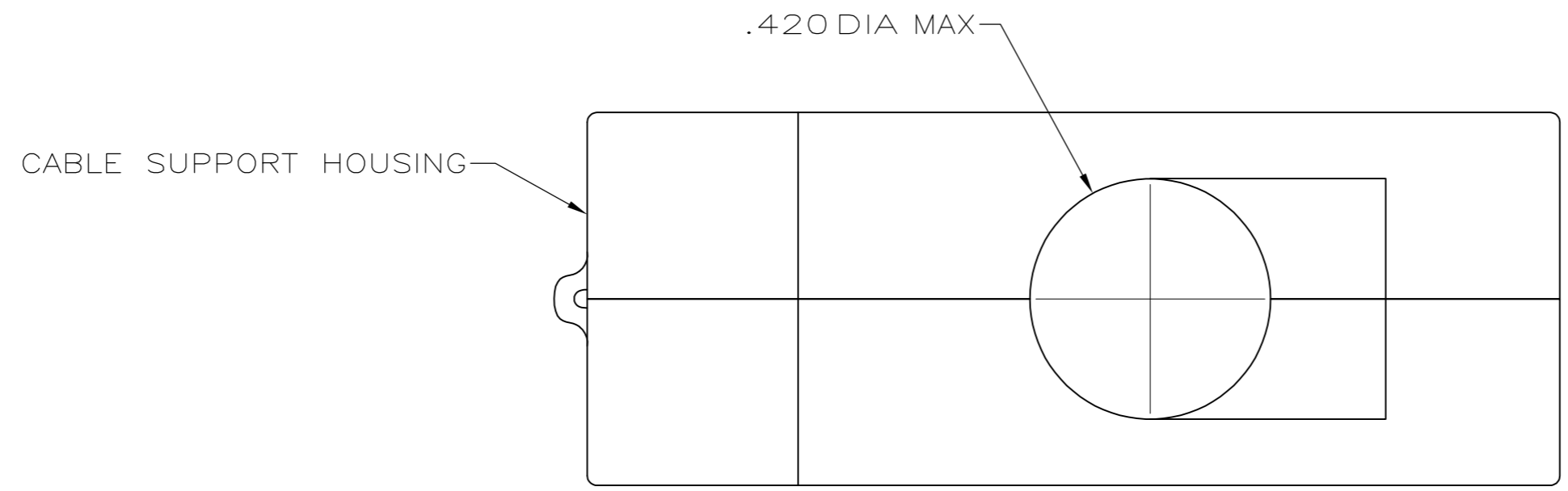


THIS DRAWING IS UNPUBLISHED. RELEASED FOR PUBLICATION
 © COPYRIGHT 2006 BY TYCO ELECTRONICS CORPORATION. ALL RIGHTS RESERVED.

LOC	DIST	REVISIONS			
P	LTR	DESCRIPTION	DATE	DWN	APVD
GP	00				
	0	RELEASED PER EC OS13-0221-05	31AUG05	RR	JG
	01	REVISED PER ECO-09-024927	09NOV09	KK	AEG



- 1. PART PACKAGED UNASSEMBLED.
- 2. COMPONENTS INDIVIDUALLY BULK PACKED & SHIPPED AS A UNIT PACKAGING KIT.
- 3. MOLDED PARTS: POLYPROPYLENE, BLACK. HARDWARE: COLD ROLLED STEEL.
- 4. HARDWARE: ZINC PLATED, CLEAR CHROMATE COATING.
- 5. OBSOLETE PARTS: OBSOLETE CIS STREAMLINING PER D.RENAUD/D.SINISI

5	OBSOLETE	2	-5206390-3
		AS SHOWN	5206390-1
	PACKAGING		PART NUMBER

THIS DRAWING IS A CONTROLLED DOCUMENT.		DWN	R.RICHARDSON	31AUG05	Tyco Electronics Corporation Harrisburg, Pa 17105-3608
DIMENSIONS: INCHES		CHK	C. ROHDE	31AUG05	
TOLERANCES UNLESS OTHERWISE SPECIFIED:		APVD	M.WALMSLEY	31AUG05	NAME
0 PLC	± -	PRODUCT SPEC		SELF TAPPED 45/180 DEG CABLE SUPPORT CLAMHELL, SIZE 3 ASSEMBLY, AMPLIMITE HD-20	
1 PLC	± -	APPLICATION SPEC		SIZE	A2
2 PLC	± -	MATERIAL		CAGE CODE	00779
3 PLC	± -	FINISH		DRAWING NO	C=5206390
4 PLC	± -	RESTRICTED TO		SCALE	4:1
4 PLG ANGLES	± -	CUSTOMER DRAWING		SHEET	1 OF 1
		WEIGHT		REV	01